

**SYNCHRONIZER
RINGS**

PRODUCT LIST

* How to read our list?

JMIT#	DCIF	PART NO	DESCRIPTION	PACK	Net.W (Kg)	CuFt
* * ISUZU * *						
JM-01001	1001	33265-085 (9-33265-605-0)	ELF C-220,DL-201	250		17
JM-01002	1002	33265-123	ELF C-221 3 RD / 4 TH	200		19.5

The dimensions of packing carton
* In Cubic Feet, if you need the size in CBM(Cubic Meter) , please convert: 1 CBM = 35.3CuFt

The items listed below are mainly applied for this brand.

* How to read our DCIF numbers?

The item base number , it is a 4 digits number

5613 B 3

This suffix might be omitted if it not necessary. It only appears when this is a ring set.
This suffix indicates the position in the set or whole set..

- 3: It means it a whole set (3 pieces including the followings 2 rings and cone)
- A: It means it's the outer ring
- B: It means it's the inner ring
- C: It means it's the inter cone
- D: It means it's the spring or keys which suits the set. (Might be omitted)

It shows the form of this item. It would be omitted if it's a very ordinary item, which is a single ring of brass.

B: It's made from Brass/Bronze

S: It's made from Steel*

P: It's made from multi-materials, like brass with carbon or with molybdenum, or steel with moly or polymers,etc.

A~Z except B,S, and P: It might be a corresponding item or a design-changed item from the base number.

* How to read our JMIT numbers?

The item base number , it is a 3 digits number

Prefix of this number

JM- 13 613 B 3

This suffix might be omitted if it not necessary. It only appears when this is a ring set.
This suffix indicates the position in the set or whole set..

- 3: It means it a whole set (3 pieces including the followings 2 rings and cone)
- A: It means it's the outer ring
- B: It means it's the inner ring
- C: It means it's the inter cone
- D: It means it's the spring or keys which suits the set. (Might be omitted)

The mainly vehicle brand used for:

- | | | | |
|--------------------|-------------------|----------------------|----------------|
| 01: Isuzu | 08: Mazda | 15: M.Benz | 22: Komatsu |
| 02: Toyota | 09: Suzuki | 16: Opel | 23: V.W. |
| 03: Mitsubishi | 10: Subaru | 17: Chevrolet | 24: Landrover |
| 04: Hyundai | 11: Honda | 18: Peugeot | 25: Renault |
| 05: Daewoo | 12: Hino | 19: BMW | 26: USA Market |
| 06: Daihatsu | 13: Jeep | 20: Fiat | 27: Z.F. |
| 07: Nissan | 14: Ford | 21: TCM | 28: Porsche |
| 50: Other Brands | | | |
| 82: Selector Forks | 86: Synchro. Keys | 89: Synchro. Springs | |
| 91: Prechambers | 95: Washers | 96: Bushings | |

It shows the form of this item. It would be omitted if it's a very ordinary item, which is a single ring of brass.

B: It's made from Brass/Bronze

S: It's made from Steel*

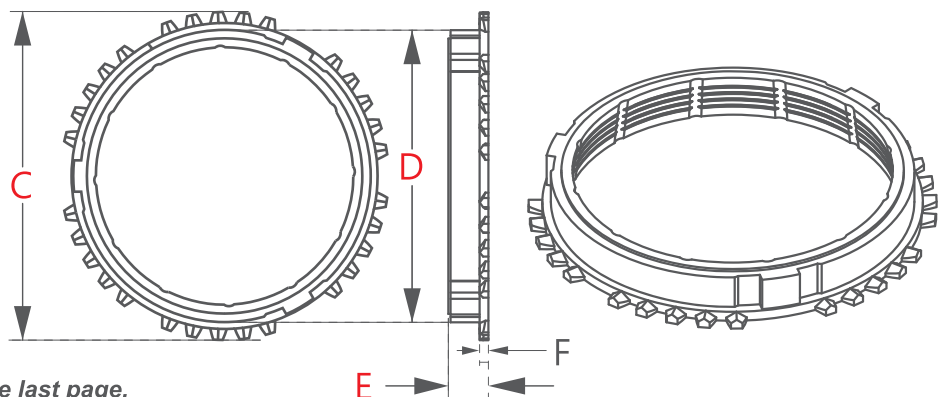
P: It's made from multi-materials, like brass with carbon or with molybdenum, or steel with moly or polymers,etc.

A~Z except B,S, and P: It might be a corresponding item or a design-changed item from the base number.

* How to inquire for items without any clue of Part Number or Applications?

We can match up the corresponding items according the following informations:

- A) Count the number of teeth
- B) Count the missing teeth
- C) Measure the diameter over teeth tip
- D) Measure the base diameter
- E) Measure the total thickness
- F) Measure the thickness of teeth if required.



* If you don't have calipers , you can use the 1cm X 1cm graph paper from the last page.

01. ISUZU	1
02. TOYOTA	3
03. MITSUBISHI	6
04. HYUNDAI / 05. DAEWOO / 06. DAIHATSU	8
07. NISSAN	10
08. MAZDA	13
09. SUZUKI / 10. SUBARU	15
11. HONDA	16
12. HINO	17
13. JEEP	19
14. FORD	20
15. MERCEDES BENZ	21
16. OPEL / 17. CHEVROLET / 18. PEUGEOT	22
19. BMW	23
20. FIAT	24
21. TCM / 22. KOMATSU	25
23. V.W	26
24. LANDROVER / 25. RENAULT	27
26. U.S MARKET	28
27. ZF	32
50. OTHER BRAND	33

JM#	DCIF	PART NO	DESCRIPTION			PACK	NET.W	CUFT
01. ISUZU								
JM-01001	1001	33265-085 (9-33265-605-0)	ELF C-220,DL-201			250	17	1.52
JM-01002	1002	33265-123	ELF C-221	3 RD / 4 TH		200	19.5	1.68
JM-01003	1003	33265-142	ELF C-221	1 ST / 2 ND		200	20	1.68
JM-01004	1004	9-33265-632-0	ELF C-240/250	3 RD / 4 TH		200	20	1.68
JM-01005	1005	9-33265-633-0	ELF C-240/250	1 ST / 2 ND		200	25	1.68
JM-01006	1006	9-33265-610-0	ELF C-190,KC-20	3 RD / 4 TH		250	16	1.52
JM-01006A	1006A	8-94463830-0	TROOPER 2300CC KB20 ASR012			250	16	1.52
JM-01006B	1006B	8-94465422-0	TROOPER 2300CC			250	16	1.52
JM-01007	1007	9-33265-620-0	ELF C-190,KC-20	1 ST / 2 ND		200	23	1.68
JM-01007A	1007A	8-94238647-0	ASR013			200	23	1.68
JM-01007B	1007B	8-94463829-0	TROOPER 2300CC KB20			200	23	1.68
JM-01007C	1007C	8-94312718-0				200	23	1.68
JM-01008	1008	33265-136	TX-72,DA120			100	20	1.13
JM-01009	1009	33265-184	TX-72,DA640			100	20	1.13
JM-01009A	1009A	1-33265-077-1	NEW			100	20	1.13
JM-01010	1010	33265-189 (1-33265-080-0)	TD,EH100	3 RD		50	19	0.73
JM-01011	1011	33265-190 (9-33265-081-0)	TD,EH100,6QA1	5 TH		80	26.5	0.97
JM-01012	1012	33265-076	SBR,JBR,JCR	3 RD / 4 TH		200	28	1.68
JM-01012A	1012A	1-33265-112-0				200	28	1.68
JM-01012B	1012B	1-33265-154-0	JCR			200	28	1.68
JM-01013	1013	33265-075	SBR,JBR,JCR	1 ST / 2 ND		100	29	0.92
JM-01013A	1013A	1-33265-171-0				100	29	0.92
JM-01013B	1013B	33265-060				100	29	0.92
JM-01013C	1013C	1-33265-173-0				100	29	1.40
JM-01014	1014	9-33265-637-0	KS	1 ST		200	26	2.29
JM-01014A	1014A	9-33265-006-0				200	26	2.29
JM-01015	1015	5-33265-008-0	KS TLD	2 ND / 3 RD		200	25	1.68
JM-01016	1016	5-33265-007-0	KS TLD	4 TH / 5 TH		200	20	1.68
JM-01016A	1016A	M-0731	5-33265-007-0			200	18	1.68
JM-01017	1017	8-94168529-0	XM			250	25	2.04
JM-01018	1018	8-94128776-0	XL 4BC2 TLD-56			200	25	1.68
JM-01019	1019	9-33265-630-0 (3813905)	GEMINI 63155511			500	21.5	2.91
JM-01020	1020	8-94128775-2	4BC2 / 4HF1-S / 4HG1 TLD-56 NPR	4 TH / 5 TH		250	24.5	2.04
JM-01021	1021	8-94172562-0	NPR	2 ND / 3 RD		200	25	1.68
JM-01021A	1021A	8-94316750-1	4BE1 NPR	1 ST		150	22.5	1.10
JM-01021B	1021B	8-97074619-1	BL383		42T	150	22.5	1.10
JM-01021C	1021C	8-97061752-0	4BE1	2 ND	45T	100	19	0.92
JM-01021D	1021D	8-94316758-0	4BE1	2 ND	45T	100	19	0.92
JM-01021E	1021E	8-97074619-3			42T	150	19.5	1.10
JM-01021F	1021F				45T	100	16.5	
JM-01021G	1021G	8-94316758-0 TOTAL.T 8.5mm			45T	100	19	
JM-01021H	1021H	TOTAL.T 8.6mm	4BE1,4HF1-B,FD35Z7,FD38Z7,FD4 0Z7,FD45Z7		36T	100	20	1.10
JM-01021J	1021J	8-97166-588-0	4HF1	1 ST / 2 ND	45T	100	16.5	0.90
JM-01022	1022	1-33265-199-2	46D,46M 15T	4 TH / 5 TH	48T	100	28	1.40
JM-01022A	1022A	1-33265290-4			42T	100	28	1.40

JM#	DCIF	PART NO	DESCRIPTION	PACK	NET.W	CUFT
02. TOYOTA						
JM-02045	1045	33367-12050 / 33367-OD070		30T	250	16.5 1.52
JM-02046	1046	33367-32020			250	18 1.60
JM-02047	1047	33368-12121			250	15 1.50
JM-02048	1048	33367-20080		30T	250	18.5 1.52
JM-02049	1049	33368-12050 / 33368-12210		24T	250	17 1.52
JM-02050	1050	33369-12030 / 33369-0D060 / 33369-20040		12T	300	15 1.60
JM-02051	1051	33368-35012	Landcruiser Jk-170,RT40,2F		250	17 1.52
JM-02051A	1051A	33367-35020			200	20 1.68
JM-02052	1052	33367-55020	12R		250	17 1.52
JM-02052A	1052A	33368-55020	12R		250	17 1.52
JM-02053	1053	33368-30060	12R,Hilux,RT40/104		250	17 1.52
JM-02054	1054	33367-55010	RK/FA		150	22 1.26
JM-02055	1055	33368-55010	RK/FA		150	25 1.26
JM-02056	1056	33367-40011/2 TY-8003	Bu-30,Dyna	1 ST	200	24 1.68
JM-02057	1057	33368-20012 TY-8002	Bu-30,Dyna,18R CR010	3 RD	TP-8002	200 19 1.68
JM-02057A	1057A	33368-20013	LX60,70.LS120	1 ST / 2 ND	200	19 1.68
JM-02058	1058	33367-14010 TY-8000	Bu,Dyna YH50	Top	TP-8000	250 18 1.52
JM-02058A	1058A	33367-26021 TY-8001	Hiace,KF/5R CR004	Top	TP-8001	250 18.5 1.52
JM-02058B	1058B	33367-26022	LJ70, LN106, LN107, LN111, LN130, LN147, LN167, LN172, LN40, LN46, LN56, LN60, LN61, LN65, PZJ70, PZJ73, RJ70, RN105, RN106, RN110, RN130, RN31, RZN147, YN57, YN60, YN63, YN65, YN67	3 RD /4 TH /5 TH	250	19 1.52
JM-02058C	1058C	33367-26023	RH-11,HILUY RN40/45		250	19 1.52
JM-02059	1059	33367-36011	KF/5R		200	27.5 1.68
JM-02060	1060	33367-36030	Bu-30 , dyna , KF/2R	1 ST	200	24 1.68
JM-02061	1061	33367-12020	Corolla,KE-20/30/70	1 ST / 2 ND	250	17 1.52
JM-02062	1062	33368-12012	Corolla,KE-20/30/70	3 RD / 4 TH	250	17 1.52
JM-02063	1063	33369-12012	Corolla,KE-20/30/70	Top	250	15 1.52
JM-02064	1064	33367-12A00			250	15 1.52
JM-02065	1065	33367-12030/1	AE80 2E/EL40		250	16 1.52
JM-02066	1066	33368-12020	AE80		250	15 1.52
JM-02066B	1066B	33368-12060			250	16.5 1.52
JM-02066D	1066D	33368-12100				
JM-02066E	1066E	33368-12200		27T	250	18 1.00
JM-02067	1067	33367-16030	RPM#T53-14			
JM-02068	1068	33368-16020	RPM#T53-14A			
JM-02069	1069	33367-22020	RPM#T50-14B			
JM-02070	1070	33367-22021	LX70		200	20 1.68
JM-02070A	1070A	33368-17020 / 33367-32010 +MO	1C 68-1 SYR-600 (W/ MOLY)		250	15 1.50
JM-02070B	1070B	33368-17020 / 33367-32010	1C 68-1 SYR-600		250	15 1.50
JM-02070C	1070C	33367-17020			200	16 1.50
JM-02070D	1070D	33367-17020 +MO	(W/ MOLY)		200	16 1.50
JM-02071	1071	33367-36040	3B90 SMP4212A BU61,30	48T	150	24 1.25

JM#	DCIF	PART NO	DESCRIPTION	PACK	NET.W	CUFT
02. TOYOTA						
JM-02071A	1071A	33367-36050	3B90 SMP4212A BU61,30	45T	150	22.5 1.25
JM-02072	1072	33368-36040	13B SMP4213A BU61,30	45T	200	26 1.50
JM-02073	1073	33368-36042	3B85 14B BU61 10.5m/MI	45T	150	25 1.10
JM-02074	1074	33368-36050	BU88		150	24 1.10
JM-02074S	1074S	33367-36061	(STEEL)		150	24 1.10
JM-02075	1075	33367-35010	3A		200	24 1.68
JM-02076	1076	33367-35080 / 2526A154	4Y	36T	200	19 1.68
JM-02077	1077	33368-35030	4Y HT-14D		250	19 1.52
JM-02078	1078	33368-35040	4Y 9.20m/mH		250	19 1.52
JM-02078A	1078A		9.70m/mH		250	19.5 1.52
JM-02079	1079	33367-30060		36T	200	20 1.68
JM-02080	1080	33368-30120	LX80	33T	200	17 1.68
JM-02081	1081	33368-32020			250	18 1.52
JM-02082	1082	33369-60010	Toyota Landcruiser HDJ80	3 RD	27T	200 24 1.68
JM-02083	1083	33381-60010	Toyota Landcruiser HDJ80		27T	200 23 1.68
JM-02084	1084	33368-60020	Toyota Landcruiser HDJ80	2 ND	42T	150 26 1.68
JM-02085	1085	33368-60040	Toyota Landcruiser HDJ80		42T	150 25 1.68
JM-02086	1086	33367-60020	Toyota Landcruiser HDJ80	1 ST	57T	80 24 0.85
JM-02087	1087	33367-60030	Toyota Landcruiser HDJ80	2 ND	57T	80 23 0.85
JM-02088B3	1088B3	33038-60010/11	Toyota Landcruiser HDJ80		40	22.5 0.60
JM-02089	1089	33369-36010		42T	100	19.5 1.10
JM-02090	1090	33368-31960-71/3302-66	FORKLIFT 5SD25,4FD20,23,25.	45T	100	17.5 0.85
JM-02091	1091	33367-36024-71/3302-51	FORKLIFT 5SD25	27T	200	24 1.65
JM-02092	1092	33368-23000-71	FORKLIFT	36T	100	18 0.85
JM-02093	1093	MTTY512833	TOYOTA-B	2PC/SET	20	20 0.50
JM-02094	1094	33367-23320-71	FORKLIFT 7FD25 NO.1		150	26 1.20
JM-02095B3	1095B3	33307-23320-71	FORKLIFT 7FD25 NO.2		50	20 1.00
JM-02096S3	1096S3	33038-36010		45T		
JM-02097S3	1097S3	33039-36010		48T		
JM-02098	1098	33367-12060	COROLLA GU-01		250	20 1.52
JM-02099	1099	GU-02	COROLLA		250	15 1.52
JM-02300B3	1300B3	33307-23321-71	FORKLIFT 7FD20/25/30	NEW	60	23 1.20
JM-02301	1301	33367-23321-71	FORKLIFT 7FD20/25/30	NEW	100	18 1.30
JM-02306B3	1306B3	33037-20100		42T	200	23 1.65
JM-02307B3	1307B3	33037-37050			100	24.5 1.40
JM-02308B3	1308B3	33038-37030			100	25 1.40
JM-02309	1309	33384-30010			250	15 1.50
JM-02310B3	1310B3	33037-37021/2	DYNA(II) H260 DUTRO 4.5T	1 ST	50	21 1.10
JM-02311B3	1311B3	33038-37011	DYNA(II) H260 DUTRO 4.5T	2 ND	50	21 1.10
JM-02312B3	1312B3	33039-37010	DYNA(II) H260 DUTRO 4.5T	3 RD	80	21 1.30
JM-02313	1313	33368-37020	DYNA(II) H260 DUTRO 4.5T	5 TH	100	17.5 1.40
JM-02314B3	1314B3	33037-60050 / 33037-0K010 / 2526A160	VIGO D4D 3.0-1, KDH222/HI-ACE'05	1 ST	36T	100 16 1.40
JM-02315B3	1315B3	33037-60040 / 33037-0K020 / 2526A162	VIGO D4D 3.0-2, KDH222/HI-ACE'05	2 ND	36T	100 16 1.40
JM-02316	1316	33368-35050 / 33368-0K010 / 2526A330	VIGO D4D 3.0-3, KDH222/HI-ACE'05	3 RD	30T	250 19 1.60

JM#	DCIF	PART NO	DESCRIPTION		PACK	NET.W	CUFT
03. MITSUBISHI							
JM-03100	1100	MD-901750	Minicab L-100			500	19.5 2.03
JM-03100A	1100A	MD-740931				500	19.5 2.03
JM-03101	1101	MD-701465	Colt,T-120,L-300 MD-724170			250	15.5 1.52
JM-03101A	1101A	43374-11000	Colt,T-120			250	15.5 1.52
JM-03101B	1101B	43374-28001				250	16 1.52
JM-03101C	1101C	43374-34000				250	16 1.52
JM-03101D	1101D	MR111956	MD701465			250	15.5 1.52
JM-03102	1102	44011-26503 (44011-26501)	Canter,4DR5,T-210			250	17 1.52
JM-03103	1103	44011-24073 (44011-26508)	Canter,4DR5,T-210			200	29 1.68
JM-03103A	1103A	44011-26508				200	29 1.68
JM-03104	1104	13505-24602 (ME-621732)	TRK T-653(6DS)FM-215			150	23.5 1.26
JM-03105	1105	44411-46404	T-651(6DC)(8DC60)			100	21 0.97
JM-03105A	1105A	44411-46406	OLD			100	27 0.97
JM-03106	1106	44011-56600				200	24 1.68
JM-03107	1107	ME-600629 (ME-601125)	NEW CANTER,FE-111	1 ST / 2 ND		200	26 2.29
JM-03107A	1107A	ME-601845	4D30,31			200	26 2.29
JM-03107B	1107B	MD-600101	6D14,15			200	26 2.29
JM-03107C	1107C	43362-45000	ME-601845			200	26 2.29
JM-03107D	1107D	ME-603242				200	26 2.29
JM-03107E	1107E	ME-601845(A)				200	26 2.29
JM-03107S	1107S	ME-637130	ME-601845 (STEEL)			200	24 1.50
JM-03107M	1107M	ME-515166	(W/ MOLY)			150	19.5 1.50
JM-03108	1108	ME-600803	New Canter,FE-111	3 RD / 4 TH		200	23 1.68
JM-03108A	1108A	ME-601295	4D30,31			200	23 1.68
JM-03108B	1108B	43383-45000	ME-601295			200	23 1.68
JM-03108C	1108C	ME-580776	ME-601295			200	23 1.68
JM-03109	1109	ME-657494 (44521-56500)	TRK 8DC90A 15T FN527,M10-2			100	22.5 1.17
JM-03109S	1109S	ME-661457	(STEEL) FUSO M12				
JM-03109T	1109T	ME-670317	(STEEL) FUSO M12 / 6D22	6D22			
JM-03109TE	1109TE	ME-670005			30T	150	22 1.20
JM-03110	1110	MD-717528	DODGE 711 MR196830	L200		200	21 1.67
JM-03110A	1110A	43374-45000	4G54,4D55 MD-717528			200	21 1.68
JM-03111	1111	MD-717527	4G54,4D55 DODGE	L200		200	21 1.67
JM-03111A	1111A	MR196829	MD-717527			200	21 1.68
JM-03112	1112	MD-703465	DODGE L200			200	21 1.67
JM-03113	1113	MD-706672 (43374-21000)	DODGE RPM#T132-14B			250	15 1.40
JM-03114	1114	43384-34010	4G32# 6215C MD727453			250	15 1.40
JM-03115	1115	MB-800469				250	22 1.58
JM-03116	1116	M-0531	4D31			250	16 1.52
JM-03117	1117	M-0786	8-94316750-1			200	27 2.29
JM-03118	1118	ME-627387	(BRASS) washer 120 X 170 X 8L			80	30 1.10
JM-03119B3	1119B3	ME-581048/ ME-581681/ ME-581685	ME-581153/ ME-581167		39T	200	24 1.40
JM-03120	1120	MB-229232	(BRASS) washer				
JM-03121B4	1121B4	MB-919340			4PC/SET	150	21 1.10
JM-03121BA	1121BA	MB-936792	MB-919340-1				
JM-03121BB	1121BB	MD-742543	MB-919340-2				
JM-03121BC	1121BC	MD-742544	MB-919340-3				

JM#	DCIF	PART NO	DESCRIPTION	PACK	NET.W	CUFT
03. MITSUBISHI						
JM-03121BD	1121BD	MD-743652	MB-919340-4	spring		
JM-03122	1122	ME-636055	6D16		100	21 1.17
JM-03123B3	1123B3	ME-607402	4D34T FE537 SLEEVE		100	23.5 1.40
JM-03124B3	1124B3	ME-606306	4D33 ROSA BUS		100	24 1.40
JM-03125	1125	ME-747300		39T	250	15 1.65
JM-03126S3	1126S3	ME-668745 / 503075 / 503076	FUSO M12-4	2 ND / 3 RD	60T	25 22 1.00
JM-03127	1127	MD-893747	LANCER		300	16.5 1.50
JM-03128B3	1128B3	ME-610458	FE659		100	25 1.40
JM-03129S3	1129S3	ME-636673 / 503077	FUSO M070 E-23,4D34 DIESEL	2 ND / 3 RD	30T	40 22.5 1.10
JM-03130S3	1130S3	ME-514690 / 514589	SB □		30T	40 21 1.10
JM-03131B3	1131B3	MR-470110			100	17 1.25
JM-03132B3	1132B3		6D16		100	26 1.40
JM-03132BA	1132BA		6D16		100	16 1.30
JM-03133	1133		6D16		150	20.5 1.20
JM-03134	1134	ME-632077			200	23.5 1.50
JM-03135	1135	ME-502617			150	20 1.50
JM-03136B3	1136B3	ME-509502			50	14 0.70
JM-03137	1137	MV-019880			500	14 1.50
JM-03138B3	1138B3	2526A074 / 2526A163	4D56 TRITON L200 2.5 COMMON RAIL DIESEL RING AS,M/T 3RD SPD	3 RD	30T	100 15 1.20
JM-03139B3	1139B3		TRITON2.5 REV		100	17 1.40
JM-03140	1140	MD-745892			300	16 1.50
JM-03141BB	1141BB	ME-626206			250	11.5 1.60
JM-03141BC	1141BC	ME-626306			200	13 1.50
JM-03142A	1142A	ME-502240	W/ MOLY		150	19 1.50
JM-03143B3	1143B3	ME-511952			100	21 1.30
JM-03144S	1144S	179-166-12	8DC9 13M		45T	50 18 1.25
JM-03145	1145	MR-111604			200	18 1.60
JM-03146B3	1146B3	PMB-018			100	25 1.25
JM-03147	1147	ME-581048 + MO			200	21 1.40
JM-03148	1148	ME-581049 / ME-581195 + MO		39T	200	21 1.40
JM-03149	1149	MB-936398			300	18 1.50
JM-03150B3	1150B3	ME-535673		51T	50	14 0.70
JM-03151	1151	ME-535993		51T	150	20 1.50
JM-03152S3	1152S3	ME-636677	(STEEL)FUSO M12-4,M070, FM657 15T FV350	2 ND / 3 RD	60T	25 22 1.00
JM-03153B3	1153B3	ME-535994	M038 +MO/COATING	1 ST / 2 ND	51T	75 18.5 1.00
JM-03154B3	1154B3	ME-535672	M038	3 RD	51T	75 19 1.00
JM-03155	1155	ME-531369 / ME-536387	M038 +MO/COATING	4 TH	51T	150 19 1.50
JM-03156	1156	ME-531366 / ME-534885	M038 +MO/COATING	5 TH / Rev	51T	150 19 1.50
JM-03157	1157	ME-581034		39t	300	17 1.00
JM-03058B3	1158B3	ME-536019	M038	6 TH	51T	50 14.0 0.70
JM-03059P	1159P	ME-515168	W/ CARBON		42T	150 17.0 1.50
JM-03060	1160	ME-539287 / ME-539858			42T	150 18.0 1.50
JM-03060P	1160P	ME-536323 / ME-536851	W/ CARBON		42T	50 17.0 1.50
JM-03061	1161	ME-534505 / ME-534751			42T	200 21.0 1.50

JM#	DCIF	PART NO	DESCRIPTION	PACK	NET.W	CUFT
04. HYUNDAI / 05. DAEWOO / 06. DAIHATSU						
HYUNDAI						
JM-04200	1200	43394-28002			250	18 1.52
JM-04201	1201	43384-28002	12.m/m		300	16 1.50
JM-04202	1202	43374-34000			250	16 1.52
JM-04203	1203	43384-34010	12.8m/m		300	17 1.52
JM-04204	1204	43386-4B000			200	21 1.67
JM-04205S3	1205S3	43360-6A340	5TON		40	21 1.1
JM-04206S	1206S	43383-62010		48T	100	25 1.4
JM-04207B3	1207B3	43360-5H630		36T	50	12 0.9
JM-04208B3	1208B3	43350-4A300		42T	100	21 1.40
JM-04209	1209	43384-4A001		39T	200	21.5 1.50
JM-04210	1210	43385-4A300			200	21.5 1.50
JM-04211B3	1211B3	43390-4D000			200	21.5 1.50
JM-04212	1212	43389-P0401			150	19 1.50
JM-04213	1213	43302-47500		51T	200	18 1.20
DAEWOO						
JM-05250	1250	90304685			250	18 1.52
JM-05251BA	1251BA	90305939 /94580754			200	16.5 1.60
JM-05251BB	1251BB	90305938			250	15 1.52
JM-05252	1252	90304686			500	28 2.03
JM-05253	1253	24433-A78B01		18T	500	21.5 2.00
DAIHATSU						
JM-06201	2201	33367-87301-000	DV-26,(BIG Hole)		200	24 1.89
JM-06202	2202	33368-87302-000	DV-26,(SMALL Hole)		200	24 1.89
JM-06203	2203	33369-87301-000	DV-26,	3 RD / 4 TH	250	22.5 1.71
JM-06204	2204	33367-87302-000	V-22H,(SMALL Hole)		200	24 1.78
JM-06205	2205	33368-87303-000	V-22H,(BIG Hole)DELTA		200	24 1.78
JM-06206	2206	33369-87302-000	V-22H DELTA	3 RD / 4 TH	250	22.5 1.61
JM-06206A	2206A	33369-87303-000			250	22.5 1.61
JM-06207	2207	33367-87501-000	S-38,(BIG Hole)		500	16.5 2.03
JM-06208	2208	33368-87501-000	S-38,(SMALL Hole)		500	16.5 2.03
JM-06209	2209	33367-87502-000	S-10P,(BIG Hole)		500	16.5 2.03
JM-06210	2210	33368-87502-000	S-10P,(SMALL Hole)		500	16.5 2.03
JM-06211	2211	33367-87503-000			500	15.5 2.03
JM-06212	2212	33367-87702-000	D-1000 S-75	3 RD / 4 TH	500	17.5 1.50
JM-06213	2213	33368-87505-000	D-1000 S-85,Z830		250	15.5 1.28
JM-06214	2214	33369-87702-000	D-1000 S-85		250	15.5 1.28

JM#	DCIF	PART NO	DESCRIPTION			PACK	NET.W	CUFT
07. NISSAN								
JM-07250	2250	32604-23P15	MT3500T			200	20	1.60
JM-07250A	2250A	32607-23P20	MT3000			250	21	1.50
JM-07251	2251	32604-18000	Sunny,120Y (B110)			500	28	2.27
JM-07252	2252	32604-H7300	Sunny,120Y (B210) A12	CR008		500	27	2.27
JM-07252A	2252A	32604-H1000	Sunny,120Y H7300			500	27	2.27
JM-07253	2253	32604-H9000	Sunny,120Y (B310)A15	CR001		500	27	2.27
JM-07253A	2253A	32604-H9700	Sunny,140Y			500	28	2.27
JM-07253B	2253B	32604-E9801	Sunny,120Y HL SD23,H1001			500	27	2.27
JM-07253C	2253C	32604-08003				250	21	1.55
JM-07253D	2253D	32607-M8001	12A00, 1.3,1.5 (B11)			250	15	1.52
JM-07253E	2253E	32604-M3000	H9700			500	28	2.27
JM-07253F	2253F	32604-H1001	E9801			500	27	2.27
JM-07253G	2253G	32607-04C00	ASR-016			250	16	1.45
JM-07253H	2253H	32607-M8011	B13			250	15	1.52
JM-07253I	2253I	32604-36N21				500	28	2.27
JM-07253J	2253J	32631-36N20				500	28	2.27
JM-07254	2254	32604-P0100 / A6410	SD22,L20,H20,720,D21,N9000			250	16	1.32
JM-07255	2255	32604-14810 / V5210	620,J-13/15			250	16	1.32
JM-07256	2256	32604-08002	680,J-16			250	18	1.40
JM-07257	2257	32604-86401				200	28	1.68
JM-07258	2258	32607-86402	SD22	3 RD / 4 TH		250	24	1.52
JM-07259	2259	32604-D0100	B12			250	17	1.52
JM-07259A	2259A	32607-D0120				250	17	1.52
JM-07259B	2259B	32607-D0161 / D0103	32607-D0100/D0115,B13			250	17	1.52
JM-07260	2260	32604-T8000	SD22 CHADY	1 ST / 2 ND		200	28	1.68
JM-07261	2261	32607-58S00 / 35V00 , 32607-V5010	E20,23,24,D21		30T	250	19	1.57
JM-07261A	2261A	32607-58S10	32607-03E02 E20,24		33T	250	19	1.57
JM-07261B	2261B	32607-35V00	32607-58S00			250	19	1.57
JM-07262	2262	32605-90073	CK12 061 BIG		36T	100	29	0.95
JM-07263	2263	32605-90013	CK12 003 SMALL		36T	50	23	0.70
JM-07264	2264	32605-90062 / Z90069 / 90016	062 PD6 MIDDLE,CK12 UR7712-X50		39T	80	25	1.10
JM-07265	2265	32605-90014 / 32605-Z0001	000 PD6 SMALL		39T	50	21	0.73
JM-07266	2266	32605-90006 / 32262-90116	006 PD6 BIG		39T	50	20	0.73
JM-07267	2267	32604-70L15	RD-28,E24,BD1			250	16	1.32
JM-07268	2268	32604-13WRO	140-14			250	17	1.50
JM-07269	2269	32605-90175	CW430			60	21	0.81
JM-07269P	2269P	32605-90208 / 90111 / 90075	(STEEL W/ COMPOSITE)			60	20	0.81
JM-07270	2270	AEC 3482				250	21	1.50
JM-07273	2273	32605-Z5009	UR7712X90 FE6 SYR-5070	2 ND / 3 RD	54T	100	24	0.95
JM-07273A	2273A	32605-Z5005			48T	100	24	0.95
JM-07274	2274	32605-Z5064/Z5007	UR7712X46 FE6	4 TH / 5 TH / 6 TH		200	25	1.68
JM-07274A	2274A		102			80	21	1.20
JM-07275	2275	32605-Z5116 /Z5017	UR7712X61 UD			50	16	1.00
JM-07276	2276	32605-Z5117 /833150005	UR7712X71 UD CK87			100	23.5	0.95
JM-07276A	2276A	32605-Z5068	UR7712X86			100	23.5	0.95
JM-07277	2277	32605-Z5011	UR7712X11			50	16	1.00

JM#	DCIF	PART NO	DESCRIPTION	PACK	NET.W	CUFT
07. NISSAN						
JM-07278	2278	32605-Z5012	UR7712X21		50	17 1.00
JM-07279	2279	32605-Z5014	UR7712X41		200	28 1.68
JM-07280	2280	32604-79E10/03E1				
JM-07281	2281	32607-01B17				
JM-07282	2282	32607-58S80	D22	30T		
JM-07283	2283	32607-80S60	D22	33T		
JM-07284B3	2284B3	32604-85F30			100	17.5 1.20
JM-07285	2285	UR7712-X78	UR7712X78		100	20 1.20
JM-07286	2286			36T	100	20 1.60
JM-07286A	2286A	32604-01T03				
JM-07287	2287	FD6		42T	100	20 1.10
JM-07288	2288	32604-L1102		39T	100	26 1.50
JM-07289	2289	32604-40K00		33T	150	26 1.50
JM-07290	2290	PF6T	(BRASS)PF6	48T	100	27 1.50
JM-07290PA	2290PA	32605-90113	(STEEL W/ COMPOSITE)PF6	48T	100	27 1.50
JM-07291PA	2291PA	32605-90112	(STEEL W/ COMPOSITE)PF6	54T	100	20 1.40
JM-07292PA	2292PA	32605-90162	(STEEL W/ COMPOSITE)		50	18 1.40
JM-07293P3	2293P3	32630-90018	(STEEL W/ COMPOSITE)		15	21 1.20
JM-07294PA	2294PA	32605-90163	(STEEL W/ COMPOSITE)		50	17 1.10
JM-07295	2295	32604-01T04	FD35	1 ST / 2 ND / 3 RD 42T	120	19 1.60
JM-07295A	2295A	32607-01J00				
JM-07296	2296	32620-5T001 / 32605-Z3305	QD32 JD3.5	1 ST / 3 RD / 4 TH / 5 TH 42T	200	19 1.50
JM-07297B3	2297B3	32620-5T000	QD32 JD3.5	2 ND 42T	100	19 1.20
JM-07298	2298	32605-90130			50	16.5 1.40
JM-07299B3	2299B3		SD35	42T	50	16 1.25
JM-07300B3	2300B3	32630-90001			20	23 1.25
JM-07301	2301		Y.D 2.5 NO.4		300	20.5 1.40
JM-07302B3	2302B3	32604-23P15 / 32604-30P60	Y.D 2.5 NO.2	54T	50	17.5 1.20
JM-07303B3	2303B3	32604-30P61	Y.D 2.5 NO.3	36T	100	20.5 1.10
JM-07304	2304	32611-01T00		33T	200	20.0 1.00
JM-07305	2305	32607-4006	FD35	33T	200	17.5 1.00
JM-07306B3	2306B3	32620-0T200				
JM-07307B3	2307B3		NAVARA 6	1 ST		
JM-07308B3	2308B3	32620-CD008 / 32620-CD006	NAVARA 6	2 ND 51T	100	20.5 1.60
JM-07309B3	2309B3	32620-CD016 / 32620-CD01B	NAVARA 6, 350Z 04-08, 370Z, Infiniti G35 04+, G37, Q40	3 RD		
JM-07310B3	2310B3		NAVARA 6	4 TH 51T	100	19.0 1.60
JM-07311	2311		NAVARA 6 (BRONCE) W/ MOLY	5 TH / 6 TH 42T	250	19.0 1.65
JM-07311S	2311S	32604-5X00A	NAVARA 6, 350Z, 370Z, Infiniti G35, G37, Q60 (STEEL)	5 TH / 6 TH 42T	250	19.0 1.65
JM-07312	2312		NAVARA 6 (BRONCE) W/ MOLY	Rev 42T	250	18.0 1.65
JM-07312S	2312S	32631-CD000	NAVARA 6, 350Z, 370Z, Infiniti G35, G37 (STEEL)	Rev 42T	250	18.0 1.65
JM-07313PA	2313PA	32605-90171	(STEEL W/ COMPOSITE)			
JM-07315	2315	32604-VX204	NISSAN URVAN E25			
JM-07316	2316	32604-VX205	NISSAN URVAN E25			

JM#	DCIF	PART NO	DESCRIPTION	PACK	NET.W	CUFT
08. MAZDA						
JM-08300	3300	0881-17-245C	1600cc		250	17.5 1.38
JM-08300A	3300A	0371-17-245A	1600cc PB		250	16 1.32
JM-08300B	3300B	0862-17-245A			250	16 1.32
JM-08300C	3300C	0103-17-245	11L	27T	250	16 1.32
JM-08301	3301	0895-17-275	E2700/3000	1 ST / 2 ND	200	26 1.69
JM-08302	3302	0895-17-245/0600-17-275	E2700/3000	3 RD / 4 TH	200	20 1.69
JM-08302A	3302A	LH-001		33T	200	20 1.50
JM-08303	3303	0813-17-245 (4069-17-245)	E2700/3000	Top	250	17.5 1.38
JM-08304	3304	0817-17-245	1200cc,808,616,F1000		250	16 1.32
JM-08305	3305	W501-17-245A	E4100/E3500/T3000	39T	250	20 1.67
JM-08305A	3305A	1304-17-245	E4100	39T	120	23 1.34
JM-08305B	3305B	W502-17-265C	T3000/T3500	42T	200	23 2.10
JM-08306	3306	G401-17-265 / K71E-17-265A	KIA GRLGINAL CERES	39T	250	16 1.67
JM-08306A	3306A	K71E-17-245A	A-725	36T	250	20 1.67
JM-08306B	3306B	CHHAY-017		39T	250	16 1.50
JM-08307	3307	F401-17-265	FORD LASER	33T	500	22 1.65
JM-08307A	3307A	F520-17-245A	F521-17-265	27T	500	22 1.65
JM-08307B	3307B	F520-17-265	323 FORD LASER		500	22 1.65
JM-08308	3308	F402-17-265A	323 FORD LASER	1 ST / 2 ND	500	24 2.91
JM-08309	3309	F501-17-625	323		500	20 2.03
JM-08309A	3309A	F502-17-625	RPM#T150-14		250	16 1.32
JM-08310	3310	W501-17-725A	BESTA	3 RD / 4 TH	250	16 1.67
JM-08311	3311	W501-17-265/OG501-17-265A	BESTA T3000 R2	Top	30T	500 24 2.91
JM-08311A	3311A	WL01-17-725			250	16 1.45
JM-08312	3312	R502-17-265O	T2200-14B 36TL		200	19.5 1.67
JM-08312A	3312A	R502-17-245A			250	18 2.04
JM-08312B	3312B	M502-17-265A	RPM#T2200-14A KIA		250	19 1.67
JM-08313	3313	R503-17-265A	42TS		250	22.5 2.04
JM-08314	3314	V501-17-725/M501-17-245O	2200CC R2	3 RD	30T	250 16.5 1.67
JM-08315	3315	0114-17-245	B600 /24432-64030		500	15.5 2.03
JM-08316	3316	F501-17-265			500	22 2.03
JM-08317	3317	G503-17-265			300	16 1.50
JM-08318	3318	G504-17-265A/M504-17-265A	626 ASAHI		500	19 2.05
JM-08319	3319	G501-17-265C/G501-17-265A			500	24 2.91
JM-08320	3320	KKB30-17-625/MB501-17-625	KIA SMALL	24T	500	14 1.20
JM-08321	3321	KKB30-17-245/MB501-17-245	KIA MIDDLE	27T	500	15.5 1.20
JM-08322	3322	KKB30-17-265	KIA 30T BIG HA-14P		500	18 1.20
JM-08323	3323	KKB3A-17-265A	KIA 27T BIG		500	18 1.20
JM-08324	3324	W501-17-265A	SL SMALL		200	24 1.64
JM-08325	3325	Z501-17-245C	SL BIG		150	19 2.04
JM-08326	3326		KIA GOLDEN	39T		
JM-08327	3327	OK71E-17-725			250	17 1.52
JM-08328	3328	OK71E-17-265A		35T	250	19 1.60
JM-08329	3329	OK552-17-725B		5 TH	250	19 1.50
JM-08330	3330	OK552-17-265B		3 RD / 4 TH	250	20 1.50
JM-08331	3331	OK211-17-265			500	20 2.03
JM-08332	3332	R507-17-265C			300	20.5 1.60

JM#	DCIF	PART NO	DESCRIPTION	PACK	NET.W	CUFT
12.HINO						
JM-12400	4400	2445-3248-01 /33371-1210	KR	1 ST	120	29 1.73
JM-12401	4401	2310-3227-10	KR/KL/KM	Top	250	27.5 1.66
JM-12401A	4401A	33371-1190 /33371-1250			250	27.5 1.66
JM-12401B	4401B	2301-3291-11			250	27.5 1.66
JM-12402	4402	2310-3227-03	KL	1 ST	150	28.5 1.77
JM-12402A	4402A	33371-1170 /33371-1200			150	28.5 1.77
JM-12403	4403	2306-3327-00 /33371-1160	KB	1 ST	80	33 1.36
JM-12404	4404	33371-1061	KR EH700/421	1 ST	100	26 1.44
JM-12404S	4404S	33371-1321	(STEEL)	1 ST	42T	50 13 1.20
JM-12405	4405	33371-1051	KR EH700/421	Top	100	19 1.00
JM-12405S	4405S	33371-1331 1271/1330	(STEEL)	Top	100	19 1.00
JM-12406	4406	33371-1390	H1390		100	26 1.44
JM-12407	4407	33371-1400	H1400		150	24 1.50
JM-12408	4408	33371-1431	H1431 FB112	Top	200	23 1.78
JM-12409	4409	33371-1421	H1421 FB112	1 ST	200	29 2.36
JM-12410	4410	33371-1640/1261	F18 FM226/227		80	25 0.95
JM-12410S	4410S	33371-1640	(STEEL) H06CT		60	21 1.70
JM-12411	4411	33371-1741/2	LRK 3HMA 195P	BIG	80	25 1.30
JM-12412	4412	33371-1590	LRK 3HMA 195P	SMALL	100	21 1.10
JM-12412S	4412S	33371-1590	(STEEL)		100	21 1.10
JM-12413	4413	33371-1410	H1410		250	19 1.56
JM-12414	4414	33371-1561	H1561		150	22 1.65
JM-12415P3	4415P3	33302-1340	(STEEL W/ COMPOSITE)		50	25 1.20
JM-12415PA	4415PA	33371-1831B	(STEEL W/ COMPOSITE)		80	21 1.30
JM-12417S	4417S	33371-1660 / 1281	(STEEL)		36T	50 21.5 1.40
JM-12418P3	4418P3	33302-1440	(STEEL W/ COMPOSITE)		30	24.5 1.10
JM-12418PA	4418PA	33371-2210	(STEEL W/ COMPOSITE)		75	18.5 1.30
JM-12419S	4419S	33371-1031	(STEEL)	SMALL	100	16 1.20
JM-12420S	4420S	33371-1020	(STEEL)	BIG	100	17 1.20
JM-12421P3	4421P3	33302-1350	(STEEL W/ COMPOSITE)		30	24.5 1.00
JM-12421PA	4421PA	33371-1772	(STEEL W/ COMPOSITE)		42T	100 24.5 1.30
JM-12422S	4422S	33371-1570	(STEEL)		150	21.5 1.20
JM-12423P3	4423P3	33302-1420/1400	(STEEL W/ COMPOSITE) HO7CT,		40	22.5 1.00
JM-12423PA	4423PA	33371-1872/1733	(STEEL W/ COMPOSITE) HO7CT,		36T	100 17.5 1.20
JM-12424PA	4424PA	33371-1820B	(STEEL W/ COMPOSITE)		30T	100 21 1.40
JM-12425	4425	OK850-17-222			100	25 1.20
JM-12426P3	4426P3	33302-1490	240 H.P.	2 ND / 3 RD	40	23 1.30
JM-12426PA	4426PA	33371-1860B	(STEEL W/ COMPOSITE)		30T	100 21 1.50
JM-12426PB	4426PB	33371-1860	(STEEL W/ COMPOSITE)		100	16.5 1.00
JM-12426PC	4426PC	33371-1130	(STEEL)		100	20 1.20
JM-12427S	4427S	33371-2330	(STEEL) E13 12S		42T	50 21 1.30
JM-12428	4428	33371-1690			100	18.5 1.30
JM-12429S	4429S	33371-2310	(STEEL)		50	16.5 1.20
JM-12430S	4430S	33371-2270	(STEEL)		100	18.5 1.30
JM-12431S	4431S	33371-11722	(STEEL)		50	17 1.25
JM-12432S	4432S	33371-1850 / 33396-E0020	(STEEL)		50	17.5 1.30
JM-12433S3	4433S3	33048-E0030	(STEEL)		36T	10 25 1.80

JM#	DCIF	PART NO	DESCRIPTION	PACK	NET.W	CUFT
26. U.S MARKET						
JM-26101	6101	WT304-14A (14304A)(3993036)			10	1.8 0.05
JM-26101A	6101A	U100780			10	1.1 0.05
JM-26101M	6101M	WT304-14A	OEM		10	1.8 0.05
JM-26102	6102	WT304-83A (83304A)(3950367)			10	2.8 0.08
JM-26103	6103	T14-14	991020		250	19 1.55
JM-26104	6104	T15-14 (J3209861)	991021		250	23 1.55
JM-26105	6105	T91J-14A(6913J)WT287-14A	C4AZ-7107C			
JM-26105M	6105M	T91J-14A		OEM	10	
JM-26106	6106	T91L-14A(6913L)WT287-83	AMC JEEP CJ7 C4AZ-7107D		250	27 2.04
JM-26106A	6106A	U100780			10	1.1
JM-26106M	6106M	T91L-14A	C4AZ-7107D	OEM	10	1.1 0.05
JM-26107	6107	T170-14A (41708)				
JM-26108	6108	T19-14 (T309-14)	C8TZ-7107D			
JM-26108A	6108A	TW-1316-091-001				
JM-26109	6109	WT307-14(23078)(20307A)	CHRYSLER 3515-023 3815203			
JM-26110	6110	T91A-14A (8912A)				
JM-26111	6111	T10W-14A (9106)	3709348			
JM-26112	6112	WT294-14	82X71.9X12L	36T	10	0.95
JM-26113	6113	WT297-14A (52976)			10	1
JM-26113A	6113A	U100763	WT297-14A		10	0.9
JM-26113B	6113B	WT297-14B	WT297-14 3880850			
JM-26113C	6113C	WT297-14A (52976)				
JM-26114	6114	WT301-83 (73015)3859027	CHEVROLET			
JM-26115	6115	T1103-14(311034)(1332-091-002)	P-15			
JM-26116	6116	T1103-83(311034A)(1332-091-003)	P-16 8127402			
JM-26117	6117	T1104-14(111042) (1351-091-001)	8134170			
JM-26118	6118	T19-83A (1309-091-001)				
JM-26119	6119	T98-83				
JM-26119A	6119A	100787				
JM-26120	6120	91G-14			10	0.72
JM-26121	6121	M5R2-14E	FITZ-7107-E /TK-1-2-3-4		10	0.8
JM-26122	6122	M5R2-14G	FITZ-7107-G /TK-1-2-3-4G		10	1.27
JM-26123	6123	150R-14A				
JM-26124	6124	150R-14				
JM-26125	6125	140-14				
JM-26126	6126	T87D-14 508E-7107A	FORD SON		10	1.65
JM-26127	6127	A525-14 F517-A525-14	T525-14 OE.H5799		10	0.83
JM-26128	6128	A525-83 F518-A525-83	T525-14A OE.H9142, N2647		10	0.94
JM-26129	6129	T400-14	OE.H2047		10	0.94
JM-26130	6130	T96-14A	JEEP		10	0.33
JM-26131	6131	WT243-14F	T88-14F		250	19.5 1.52
JM-26132	6132	113431			250	16 1.55
JM-26132A	6132A	113431(T)			250	16.5 1.55
JM-26133	6133	T1105-14				
JM-26134	6134	WT250-19C			10	1 0.8
JM-26135	6135	ZF1307 304 175	(BRASS) FORD 1TZF ZF-14B	REV		
JM-26135S	6135S	C-503	(STEEL)	48T SMALL		

JM#	DCIF	PART NO	DESCRIPTION	PACK	NET.W	CUFT
26. U.S MARKET						
JM-26136	6136	ZF1307 304 181	(BRASS) FORD 1TZF ZF-14A	1 ST / 2 ND		
JM-26136S	6136S	C-501	(STEEL)	BIG	54T	
JM-26137	6137	ZF1307 304 182	(BRASS) FORD 1TZF ZF-14	3 RD / 4 TH / 5 TH		
JM-26137S	6137S	C-500	(STEEL)	SMALL	48T	
JM-26138	6138	WT290-14	08672050		10	1.1
JM-26139	6139	TK-RF M5R2-14	E8TZ-7107E,F150 (12 Degree)		36T	10 0.9
JM-26140	6140	TK-R	E8TZ-7107C		10	0.6
JM-26141	6141	TK-5	B2200-1-4 MAZ-14A , HA-14G		10	0.55
JM-26142	6142	1001	XD 7107 B ,SR101		10	0.66
JM-26143	6143	1002/T92F-14B	3813905 , 63155511		10	0.35
JM-26144	6144	WT191-14A	HT191,T11-14 M151 SMALL		250	19 1.52
JM-26145	6145	A578-14			250	16 1.10
JM-26145BA	6145BA	A578-14A			250	18 1.10
JM-26145BB	6145BB	A578-14B			400	20 1.20
JM-26145BC	6145BC	A578-14C	(STEEL)		20	1.5
JM-26146	6146	24024			10	1.18
JM-26147	6147	25025			10	1.65
JM-26148	6148	17284			10	1.2
JM-26149	6149	17298			10	1.35
JM-26150	6150	17307			10	1
JM-26151	6151	ZF47-14C	(BRASS) ZF1317 304 150 D119.1		42T	
JM-26151S	6151S	C-505	(STEEL)	SMALL	42T	
JM-26152	6152	ZF47-14D	(BRASS) ZF1317 304 149 D134		48T	
JM-26152S	6152S	C-504	(STEEL)	BIG	48T	
JM-26153	6153	ZF47-14E	(BRASS) ZF1317 304 038D D119		42T	
JM-26153T	6153T	C-506		SMALL	42T	
JM-26154P	6154P	URW360-83	360-83		120	24 1.20
JM-26155	6155	S-3493	S-3493 DODGE		100	19 1.00
JM-26170	6170		JAJUER		10	1.35
JM-26171B3	6171B3	FMSR2-003			80	23.5 1.30
JM-26172	6172	TR101	TR3650-14		10	1.1
JM-26173	6173	TR100				
JM-26174	6174	40/50-02			100	20 1.30
JM-26175	6175	40/50-03			100	23 1.40
JM-26176SA	6176SA	5010054AA				
JM-26176SB	6176SB	5015202AA				
JM-26177	6177	DQB-003	W/ MOLY		60T	100 21 1.50
JM-26178	6178	DQB-004	W/ MOLY		54T	100 19 1.00
JM-26201	6201	ISU-1-2 8-94312718-0			10	1.1
JM-26202	6202	ISU-3-4-5 8-94463830-0			10	0.65
JM-26203	6203	8-94151510-2				
JM-26204	6204	8-94249580-0	ISUZU-14F			
JM-26205	6205	8-944121880-0	ISUZU-14D		10	1.58
JM-26206	6206	8-94455342-1	ISUZU-14C		10	0.75
JM-26210	6210	MIT-1	MD717528		10	1
JM-26211	6211	MIT-2	MD-717527,703465		10	1
JM-26212	6212	MIT-3-4-5	MD-701465	MIT-14A	10	0.6


JM#	DCIF	PART NO	DESCRIPTION	PACK	NET.W	CUFT
26. U.S MARKET						
JM-26213	6213	MIT-R	E8TZ-7107-H		10	0.55
JM-26214	6214	MD706672				
JM-26215	6215	MD721414	MD-14		10	0.44
JM-26215A	6215A	MD727565	MD-14A		10	0.65
JM-26215B	6215B	MD727557	MD-14B		10	0.65
JM-26215C	6215C	MD727453	MD-14C		10	0.5
JM-26215D	6215D	MD724884 / 43388-34201	MD-14D		10	0.37
JM-26215E	6215E	MD730084	MD-14E		10	0.58
JM-26215F	6215F	MD730086	MD-14F		10	0.57
JM-26216	6216	ME600803				
JM-26217	6217	ME601845			10	1.45
JM-26220	6220	NIS-1-2-3-4	32604-P0100/A6410		10	0.6
JM-26221	6221	NIS-5	32604-E9801	NIS-14A		0.5
JM-26222	6222	NIS-1	32607-58S00/35V00	NIS-14E	10	0.65
JM-26222A	6222A	27T	32607-80S60		10	0.6
JM-26223	6223	NIS-14B	(NIS-2) 32607-58S10	NIS-14C	10	0.65
JM-26224	6224	32604-79E10	NIS-14D 32604-03E1		10	0.44
JM-26225	6225	32607-01B17	NIS-14F	HN-14W	10	0.3
JM-26225A	6225A	32607-39E17	NIS-14W		10	0.3
JM-26226	6226	32604-70L15	NIS-14G	BD1		
JM-26227	6227	32607-58S80	D22	30T	10	0.65
JM-26228	6228	32607-80S60	D22 HN-14U	33T	10	0.65
JM-26229	6229	32604-D0100	B12 SEN-14A 32604-0103		10	0.6
JM-26231	6231	SEN-1-2-3-4-5	32607-M8001	SEN-14	10	0.5
JM-26240	6240	33368-35012			10	0.7
JM-26241	6241	TOY-1-2	33368-20012	TOY-14A	10	0.9
JM-26242	6242	TOY-3-4-5	33367-14010	TOY-14	10	0.75
JM-26243	6243	TOY-W-1-2	33367-22021	TOY-14B	10	0.88
JM-26244	6244	33368-20013				
JM-26245	6245	33367-35010		HT-14C		
JM-26245A	6245A	TOY-14C		S-2142	10	0.97
JM-26246	6246	HT-14D (83506253)TR-53	33368-35030 TOY-14D	S-2183	10	0.74
JM-26247	6247	HT-14E		S-163	10	0.77
JM-26248	6248	HT-14F			10	0.89
JM-26249	6249	HT-14G			10	1.02
JM-26250	6250	HT-14H			10	1.02
JM-26251	6251	TOYOG-1-2-3-4	0813-17-245 100771		10	0.65
JM-26252	6252	TOYOG-5	0371-17-245A 100772		10	0.5
JM-26253	6253	FITZ-7107B	M5R1-14B	5 TH SMALL 30T	10	0.8
JM-26253A	6253A	FITZ-7107C	M5R1-14C	SMALL 24T	10	0.83
JM-26254	6254	FITZ-7107A	M5R2-14A @77.2	5 TH 33T	10	0.84
JM-26254A	6254A	FITZ-7107D	M5R2-14D F-150 @77.2	30T	10	0.84
JM-26255	6255	B2200-1-4			10	0.5
JM-26256	6256	B2200-5	V501-17-725		10	0.45
JM-26257	6257	W501-17-725A				
JM-26258	6258	200709	200709			
JM-26259	6259	M502-17-265A				

JM#	DCIF	PART NO	DESCRIPTION	PACK	NET.W	CUFT
26. U.S MARKET						
JM-26259B	6259B	PMB-036				
JM-26259A	6259A	R503-17-265A				
JM-26259F	6259F	HA-14F		10	0.82	
JM-26259G	6259G	HA-14G		10	0.51	
JM-26259H	6259H	HA-14H		10	0.53	
JM-26259J	6259J	HA-14J	HA-14J	10	1.06	
JM-26259K	6259K	HA-14K	HA-14K	10	1.04	
JM-26259L	6259L	HA-14L		10	0.67	
JM-26259M	6259M	HA-14M		10	0.38	
JM-26259N	6259N	HA-14N	HA-14N	10	0.37	
JM-26259P	6259P	HA-14P		10	0.36	
JM-26259Q	6259Q	HA-14Q		10	0.32	
JM-26260	6260	SUZ-83	SUZ-14A	24431-83001	10	0.68
JM-26261	6261	SUZ-14	SUZ-14	24432-83001	10	0.74
JM-26262	6262	24432-60A00	SUZ-14B		10	0.68
JM-26269	6269	YD2.5	YD2.5 NO.6		400	21 1.65
JM-26270	6270	HN-14H			25	1.2
JM-26271	6271	HN-14J			25	1
JM-26272	6272	HN-14K			10	1.45
JM-26273	6273	HN-14L			10	1.45
JM-26274	6274	HN-14M			10	0.88
JM-26275BA	6275BA	HN-14Q			10	0.78
JM-26275BB	6275BB	HN-14R			10	0.6
JM-26277	6277	HN-14T			10	0.46
JM-26278	6278	HN-14U	32607-80S60	33T	300	20
JM-26279V	6279V	HN-14V			10	0.57
JM-26279W	6279W	HN-14W			10	0.36
JM-26280	6280	HON-14			10	0.52
JM-26281	6281	HON-14A			10	0.36
JM-26282	6282	HON-14B			10	0.29
JM-26283	6283	HON-14C			10	0.7
JM-26284	6284	HON-14D			10	0.47
JM-26284A	6284A	HON-14D	(W/ MOLY)	27T	10	0.47
JM-26286	6286	HD-14G	HD-14G		10	0.63
JM-26287	6287	HD-14H	HD-14H		10	0.61
JM-26288	6288	HD-14J	HD-14J		10	0.52
JM-26288K	6288K	HD-14K			10	0.66
JM-26288L	6288L	HD-14L			10	0.92
JM-26289	6289	HS-14G	HS-14G		10	0.85
JM-26290	6290	HS-14J			10	0.86
JM-26291BA	6291BA	HS-14K			10	15.5
JM-26291BB	6291BB	HS-14L			10	0.95
JM-26300	6300	HG-14	24432-82042		10	0.36
JM-26301	6301	HG-14A	24432-84040		10	0.26
JM-26303	6303	HG-14C	24431-60B00		10	0.41
JM-26304	6304	HG3000-14A			10	0.78
JM-26318B3	6318B3	C-1408				

JM#	DCIF	PART NO	DESCRIPTION	PACK	NET.W	CUFT
27. ZF						
JM-27800S	7800S	ZF1304 304 686	(STEEL)		50	14 1.10
JM-27801S	7801S	ZF1296 304 135	(STEEL)		50	14 1.10
JM-27810S	7810S	ZF1297 304 484	(STEEL)		50	14 1.10
JM-27812S	7812S	ZF1296 333 022 / 045	(STEEL)		20	20 0.90
JM-27813S	7813S	ZF1295 304 004	(STEEL)		40	22 1.10
JM-27814S	7814S	ZF1308 304 094	(STEEL)		150	24 1.30
JM-27815S	7815S	ZF1268 304 445 / 594	(STEEL) ZF195		100	26 1.65
JM-27816S	7816S	ZF1308 304 096	(STEEL) ZF195		150	24 1.40
JM-27817S	7817S	ZF1308 304 072	(STEEL) ZF195		150	22 1.40
JM-27819S	7819S	ZF1304 304 542	(STEEL) ZF270		100	24 1.65
JM-27820S	7820S	ZF1304 304 014	(STEEL) ZF270 ZF683SSF		60	15 1.10
JM-27821	7821	ZF1238 304 397	(BRASS)		100	18 1.40
JM-27822S	7822S	ZF6002 304 729 / 1262 304 050	(STEEL)		150	19.5 1.40
JM-27823S	7823S	ZF1311 304 255	(STEEL)		100	22 1.80
JM-27825S	7825S	ZF1272 304 076 / 166	(STEEL)		50	15.5 1.20
JM-27826S	7826S	ZF1297 304 485	(STEEL)		80	24 1.20
JM-27827S	7827S	ZF1316 304 168	(STEEL)		50	19.5 1.80
JM-27828S	7828S	ZF1307 304 644	(STEEL)	60T	150	24 1.20
JM-27829S	7829S	ZF1307 304 643	(STEEL)	54T	150	23 1.20
JM-27830SA	7830SA	ZF1268 304 525	(STEEL)	57T	50	18.5 1.00
JM-27830SB	7830SB	ZF1268 304 424	(STEEL)		50	15.5 1.10
JM-27831S	7831S	ZF1316 304 149	(STEEL)		50	20 1.10
JM-27832S	7832S	ZF1316 304 170	(STEEL)		50	22.5 1.30
JM-27834S	7834S	ZF1272 333 019	(STEEL)		50	18 1.30
JM-27835S	7835S	ZF1250 304 535	(STEEL)		50	22 1.30
JM-27836S	7836S	ZF1290 395 332	(STEEL)		100	22.5 1.50
JM-27837S	7837S	ZF1249 304 570	(STEEL)			
JM-27838S	7838S	ZF1238 304 420 / 389 / 358	(STEEL)			
JM-27839S	7839S	ZF1290 304 473 / 6002 305 661	(STEEL)			
JM-27840S	7840S	ZF1052 304 119	(STEEL)	30T	200	18 1.00
JM-27850S	7850S	ZF1307 304 175	(STEEL)	48T	100	16 1.10
JM-27851S	7851S	ZF1307 304 181	(STEEL)	54T	100	15 1.00
JM-27852S	7852S	ZF1307 304 182	(STEEL)	48T	150	20 1.40
JM-27853S	7853S	ZF1317 304 149	(STEEL)	48T	150	20 1.40
JM-27854S	7854S	ZF1317 304 150	(STEEL)	42T	150	20 1.40
JM-27855	7855	ZF1317 304 038D	(BRASS)	42T		
JM-27880S	7880S	382968	(STEEL)		50	14 1.10
JM-27881S	7881S	8877441 W/ MO	(STEEL)33320-1230 EATON		100	19.5 1.20
JM-27881SW	7881SW	8877441 W/ CARBON FIBER	(STEEL)		100	19.5 1.20
JM-27882S	7882S	8877442 W/ MO	(STEEL)33320-1220 EATON		50	18 1.00
JM-27883S	7883S	8877313 W/ MO	(STEEL)3.050.1801 EATON		100	19.5 1.20
JM-27884S	7884S	3.050.1802	(STEEL)			
JM-27885S	7885S	3.050.1803	(STEEL) 8875135,355 100 34			
JM-27886S	7886S	3.050.4806 / E.A.20.073	(STEEL)			
JM-27887S	7887S	1466318	(STEEL)			
JM-27888S	7888S	8879049	(STEEL)			
JM-27889SW	7889SW	8882682	(STEEL + CARBON FIBER)	36T	50	13 1.30

JM#	DCIF	PART NO	DESCRIPTION	PACK	NET.W	CUFT
50. OTHER BRAND						
PAYKAN						
JM-50500	5500	5220875/WA22109 HILLMAN	TALABOT PAYKAN		250	17 1.52
JM-50501	5501	HILLMAN PAYKAN	SMALL		500	23 2.05
EUROPE						
JM-50581	5581	88150328	LEYLAND MARINA NO.2		500	22 1.84
JM-50582	5582	148409	TRIUMPH		400	22 1.50
JM-50591	5591	T96-14A	NO.3		500	20.5 1.58
JM-50592	5592	64x8.8x30T	ZUK AS SAMPLE		400	22 1.50
PRINCE						
JM-50640B3	5640B3		C12		100	23 1.10
VOLGA						
JM-50651	5651	24-1701164-02		3 RD / 4 TH	250	25 1.52
JM-50652	5652	24-1701179-02		1 ST / 2 ND	250	27 1.52
JM-50653	5653	31029-1701179			200	18 1.68
JM-50654	5654	2108-1701164-10			300	19 1.60
JM-50655S3	5655S3	3302-1701178	(STEEL)GAZ-3302		150	25 1.30
IVECO						
JM-50700	5700	8858711 +MO				
JM-50701	5701	8858923 +MO				
JM-50702	5702	503355744 +MO				
JM-50703	5703	503355742				
LADA						
JM-50701	5701	2141-1701169	2101-1701164		300	17 1.70
JM-50702	5702	503355744	+MO			
JM-50703	5703	503355742				
SKODA						
JM-50750	5750	115-210360			250	21 1.56
JM-50751	5751	115-210361			400	20 1.80
LIFAN						
JM-50001	8001	SP-108/116/121	1300CC	3 RD / 4 TH / 5 TH	300	16 1.30
JM-50002	8002	SP-211	1300CC	1 ST	33T	300 20 1.40
JM-50003	8003	SP-216	1300CC	1 ST	30T	300 20 1.40
JM-50010	8010	SA-107	1600CC	5 TH	36T	400 22.5 1.40
JM-50011	8011	SA-116	1600CC	4 TH	33T	400 23. 1.40
JM-50012	8012	SA-123	1600CC		39T	400 23. 1.40
JM-50013	8013	SA-216	1600CC		5*6=30T/L	400 20. 1.40
JM-50013A	8013A	SA216-1	1600CC		5*6=30T/R	400 20. 1.40
JM-50050	8050	DAH07340	W/ MOLY		500	18.5 1.30
JM-50051	8051	DAH06980	W/ MOLY		27T	400 21. 1.30

JM#	DCIF	PART NO	DESCRIPTION	PACK	NET.W	CUFT
50. OTHER BRAND						
TIBA						
JM-50770BA	5770BA	TN03G-32615				
JM-50770BB	5770BB	TN03G-32602				
JM-50770BC	5770BC	TM033-32606				
SOUTH AMERICA MARKET						
JM-50255	5255	TKK-218				
JM-50256	5256	TKK-219				
JM-50300S	5300S	MT018	(STEEL)			
JM-50301	5301	T104	NO.1			
JM-50302	5302	T106	NO.2			
JM-50303	5303	1501	NO.3 322 262 0137	NEW	80	24 1.40
JM-50304BA	5304BA	MPA302	NO.4			
JM-50304BB	5304BB	MPA303				
JM-50304BC	5304BC	MP-62	(STEEL)			
JM-50305	5305	T053	NO.5			
JM-50306	5306	T220	NO.6			
JM-50306A	5306A	MP-254	W/ MOLY		150	23 1.00
JM-50306W	5306W	MP-328 W/ CARBON FIBER	W/ CARBON FIBER			
JM-50307	5307	T071	NO.7			
JM-50308	5308	T080	NO.8			
JM-50309	5309	T081	NO.9			
JM-50310	5310	T026	NO.10			
JM-50311	5311	T028	NO.11			
JM-50312	5312	T209	NO.12			
JM-50313	5313	T05	NO.13			
JM-50314	5314	T19	NO.14	T98-83		
JM-50315	5315	T20	NO.15	T87D-14		
JM-50316	5316	T603	NO.16 FORK			
JM-50317	5317	33367-98001			200	20.5 1.50
JM-50318	5318	33368-98001			150	23.5 1.50
JM-50319	5319	MP-115		36T	100	22 1.10
JM-50320	5320	DC025		21T	300	18 1.40
JM-50321BC	5321BC	MP-180				
JM-50323B3	5323B3	RE 1-2	FIAT RE 1-2	1 ST / 2 ND	100	15 1.20
JM-50323BA	5323BA	DC023/024 OUTER RING			300	20 1.40
JM-50323BB	5323BB	DC023/024 INNER RING			300	17 1.20
JM-50323BC	5323BC	DC023/024 INTER RING			500	10 1.40
JM-50324S	5324S	9-617441-288MG	(STEEL)FIAT PE 3-4 002 大內錐		400	20.5 1.30
JM-50325	5325	MP 313			300	16. 1.40
JM-50326	5326	MP 314			250	23. 1.60
JM-50327S	5327S	PE 3-4 001	(STEEL)FIAT PE 3-4 001 小內錐	3 RD / 4 TH	400	20.5 1.30
JM-50328	5328	MPA768			150	23 1.60
JM-50329	5329	QE-3361138	W/ MOLY		150	23 1.60
JM-50329W	5329W	QE-3361138 / 503.355.818	W/ CARBON FIBER			
JM-50330	5330	MPA659	(W/ MOLY)		200	22 1.60



Jiun Mu Enterprise Co., Ltd

No.12, Renyi Ln., Xiushui Township – 50444

Changhua County, Taiwan

EIN/VAT: 59336348

Tel. +886 47 689898

Fax +886 47 689191

service@jmc.com.tw



www.jmit.com.tw